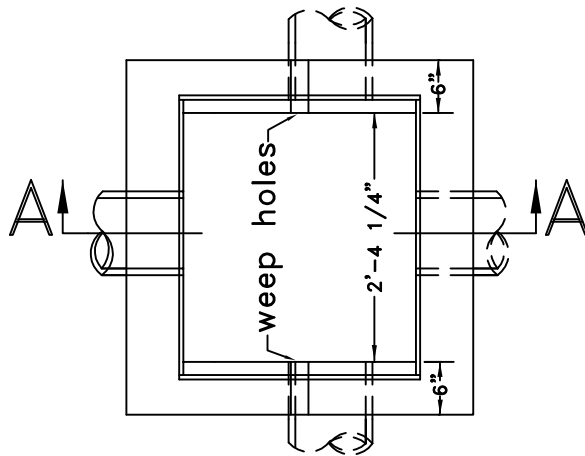


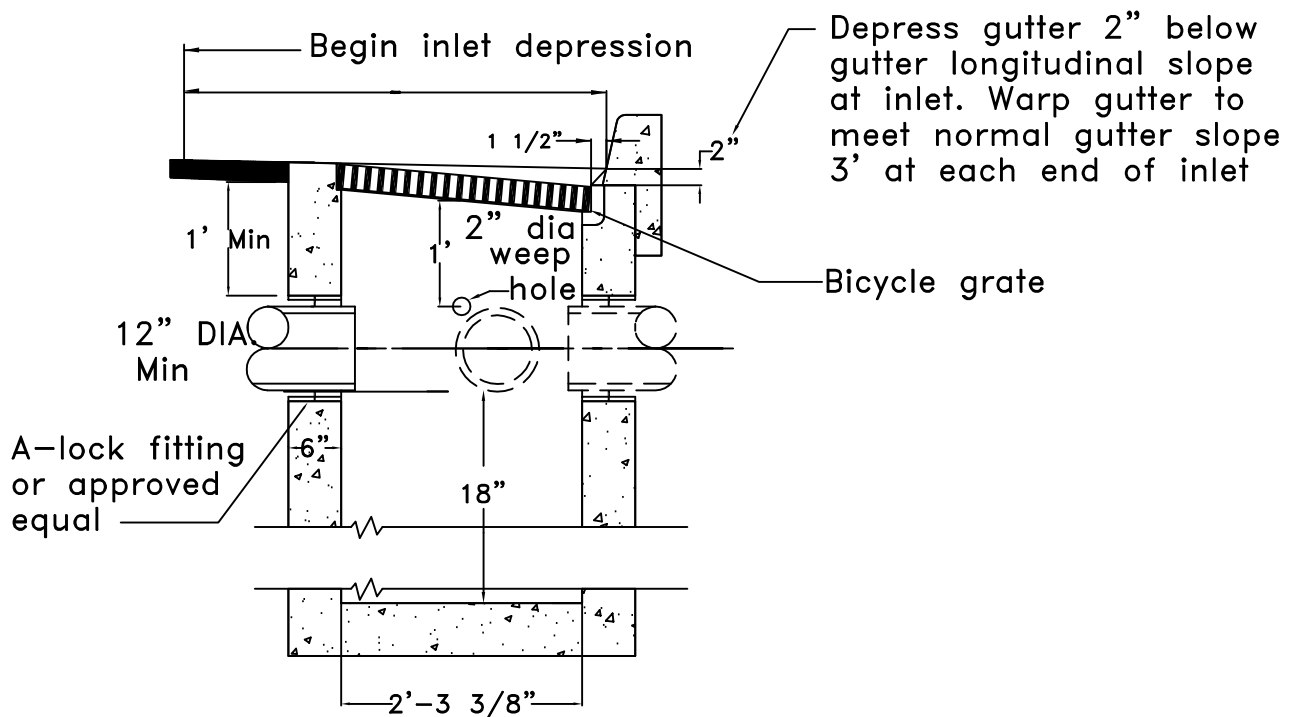
# CATCH BASIN



**NOTES:**

Use 3000 lb concrete  
2" to 4" slump

PLAN



**NOTE:**

- 1) GB-2 Catch Basin required in Public Right of Way.
- 2) GB & GB-1 Catch Basins not acceptable.

SECTION A-A



TITLE: CATCHBASIN, FLOW THRU		SHEET: 1 OF 1
FILE NAME: SWM-0003	DRAWN BY: WDK	REV. DATE: 07/20/2001
SCALE: NOT TO SCALE	DATE: 8/4/94	CHECKED BY: MDW