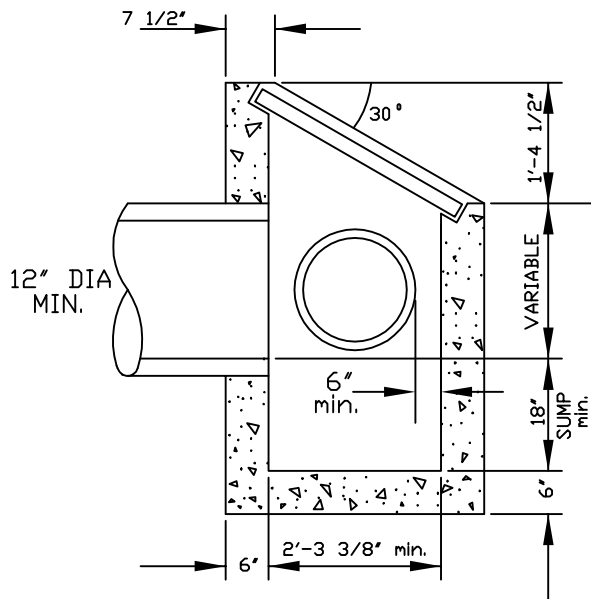


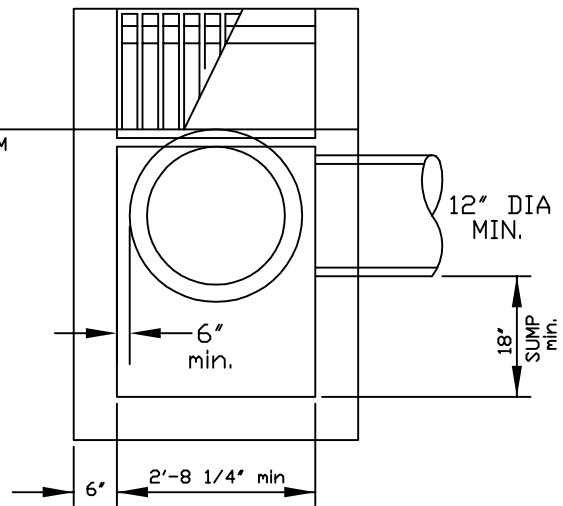
PLAN

NOTES:

1. CONCRETE SPECIFICATIONS AND MISC. MATERIALS USED SHALL CONFORM TO CURRENT APWA STANDARD SPECIFICATIONS.
2. FOR FRAME DETAIL, SEE DWG. NO. SWM-0007
3. FOR GRATE DETAIL, SEE DWG. NO. SWM-0005



SECTION A-A



ELEVATION B-B



TITLE: STANDARD DITCH INLET		SHEET: 1 OF 1
FILE NAME: SWM-0006	DRAWN BY: WDK	REV. DATE: 10/11/94
SCALE: NOT TO SCALE	DATE: 8/4/94	CHECKED BY: MDW