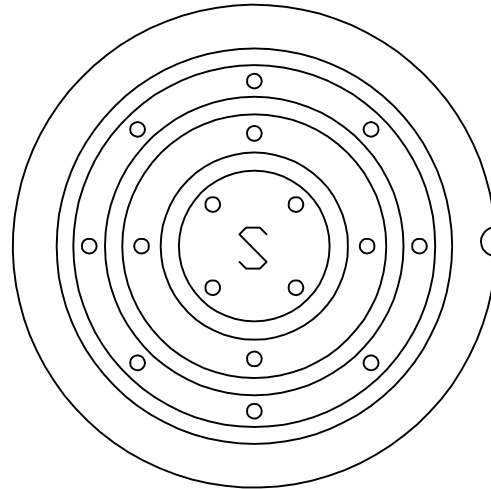
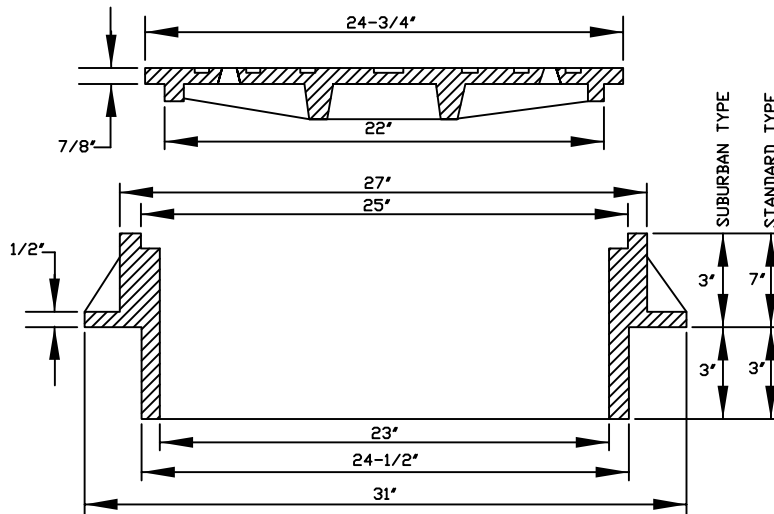


GRATE



STORM



NOTES:

1. USE SUBURBAN TYPE ONLY IN NON-TRAFFIC AREAS, AND ONLY WITH APPROVAL BY THE DISTRICT.
2. COVER AND FRAME SHALL BE GRAY CAST IRON ASTM A-48 CLASS 30.
3. COVER AND FRAME TO BE MACHINED TO A TRUE BEARING ALL AROUND.
4. NOTCH LID FOR LIFTING HOOK.
5. OPEN GRATES REQUIRE APPROVAL BY DISTRICT, AND MUST BE BICYCLE SAFE IF USED IN TRAFFICKED AREAS.

SUBURBAN AND STANDARD  
MANHOLE FRAME AND COVER



|                       |               |                     |
|-----------------------|---------------|---------------------|
| TITLE: MANHOLE COVERS |               | SHEET: 1 OF 1       |
| FILE NAME: SWM-0019   | DRAWN BY: WDK | REV. DATE: 10/11/94 |
| SCALE: NOT TO SCALE   | DATE: 8/4/94  | CHECKED BY: MDW     |